

The logo for BEITALIA, featuring a stylized green 'B' with circuit-like lines extending from its left side, followed by the word 'EITALIA' in red capital letters.

**AMMUNITION
FLEX CHUTE**



AMMUNITION FLEX CHUTE



CONTENTS

1	AMMUNITION FLEX CHUTE PRODUCT FAMILY	10	20x102 mm AMMUNITION FLEX CHUTE
04	5.56x45 mm AMMUNITION FLEX CHUTE	11	25x137 mm AMMUNITION FLEX CHUTE
05	7.62x51 mm AMMUNITION FLEX CHUTE	12	30x113 mm AMMUNITION FLEX CHUTE
06	7.62x54 mm AMMUNITION FLEX CHUTE	13	30x165 mm AMMUNITION FLEX CHUTE
07	12.7x99 mm AMMUNITION FLEX CHUTE	14	30x173 mm AMMUNITION FLEX CHUTE
08	12.7x108 mm AMMUNITION FLEX CHUTE	15	35x228 mm AMMUNITION FLEX CHUTE
09	14.5x114 mm AMMUNITION FLEX CHUTE	16	40x53 mm AMMUNITION FLEX CHUTE

AMMUNITION FLEX CHUTE PRODUCT FAMILY

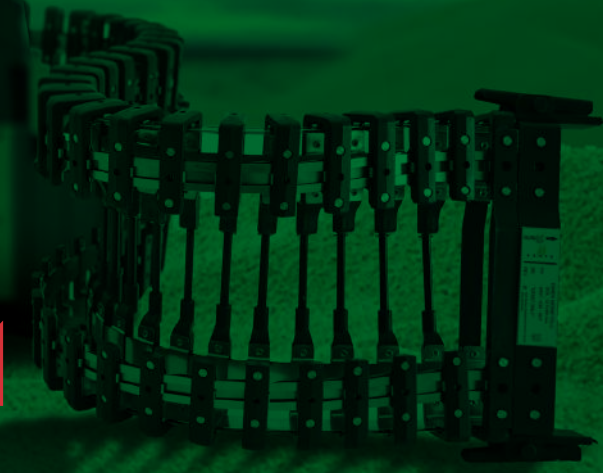
Ammunition Flex Chutes are currently being manufactured by few companies in the world, and in the past Turkey's defence industries have had to satisfy their requirements in this regard from abroad. Today, however, BEITALIA is offering to the market its entirely indigenously designed Ammunition Flex Chutes. Ammunition Flex Chutes are used in unmanned weapon systems to carry munitions from the ammunition box to the barrel and are today used mostly to feed remote-control weapon systems. The main features of the chutes are its flexible structure and its ability to circumvent different

geometries between the ammunition box and the weapon system, allowing them to function under every possible scenario. It can be easily mounted on weapon systems, and the components used in the assembly have been designed and produced in such a way that they will not cause problems throughout the life cycle of the product. The Chute's low frictional force, as one of the most critical parameters in weapon-feed systems, and its resistance to static/dynamic forces, have been verified in the thorough tests that it has been subjected to.



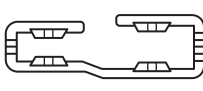


BEITALIA FLEX CHUTE FAMILY and CALIBER

Ammunition Caliber	Body Structure
5,56x45 mm	Composite body and stainless steel feed path
7,62x51 mm	Composite body and stainless steel feed path
7,62x54 mm	Composite body and stainless steel feed path
12,7x99 mm	Aluminum body and stainless steel feed path
12,7x108 mm	Aluminum body and stainless steel feed path
14,5x114 mm	Aluminum body and stainless steel feed path
20x102 mm	Aluminum body and stainless steel feed path
25x137 mm	Aluminum body and stainless steel feed path
30x113 mm	Composite body and stainless steel feed path
30x165 mm	Aluminum body and stainless steel feed path
30x173 mm	Aluminum body and stainless steel feed path
35x228 mm	Aluminum body and stainless steel feed path
40x53 mm	Composite body and stainless steel feed path

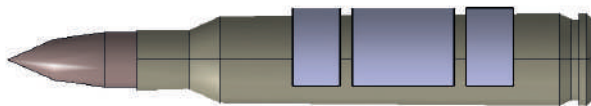
5.56x45 mm AMMUNITION FLEX CHUTE



Technical Data*

FAN	Nose: 115 mm	 Nose —— Butt	
	Butt: 120 mm		
BEND	Closed Side: 30 mm	 Closed Side	
	Open Side: 30 mm		
90° TWINS	90° Twist: 500 mm		

* BEITALIA keeps his rights to change the technical dimensions in the document without any notification.


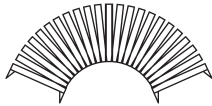
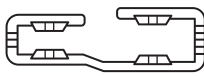
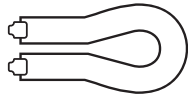



- Designed and verified per MIL standarts
- Smooth feeding of ammunition, decreased weapon pull force
- Left and right feed options from ammo can to the weapon
- M27 Link
- Fully flexible body structure
- Modular construction, adaptable to any weapon system
- Composite body and stainless steel feed path



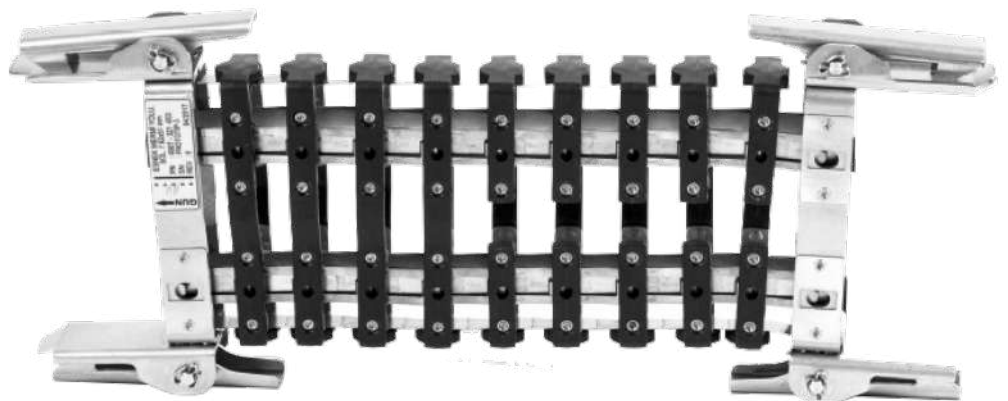
7.62x51 mm AMMUNITION FLEX CHUTE

Technical Data*

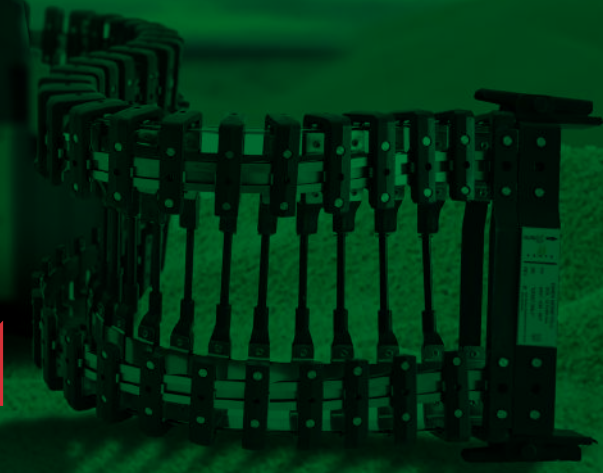
FAN	Nose: 120 mm	 Nose ——— Butt	
	Butt: 125 mm		
BEND	Closed Side: 30 mm	 Closed Side	
	Open Side: 30 mm		
180° TWINS	180° Twist: 500 mm		

* BEITALIA keeps his rights to change the technical dimensions in the document without any notification.

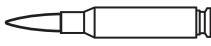
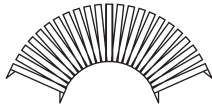
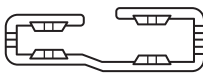


- Designed and verified per MIL standarts
- Smooth feeding of ammunition, decreased weapon pull force
- Left and right feed options from ammo can to the weapon
- Fully flexible body structure
- Modular construction, adaptable to any weapon system
- Composite body and stainless steel feed path
- M13 Link



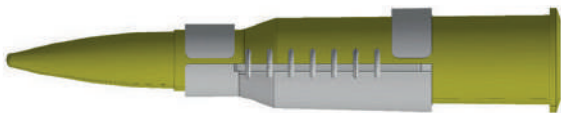
7.62x54 mm AMMUNITION FLEX CHUTE



Technical Data*

FAN	Nose: 130 mm	 Nose ———— Butt	
	Butt: 135 mm		
BEND	Closed Side: 35 mm	 Closed Side	
	Open Side: 35 mm		
180° TWINS	180° Twist: 600 mm		

* BEITALIA keeps his rights to change the technical dimensions in the document without any notification.

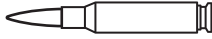

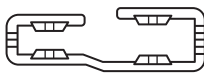
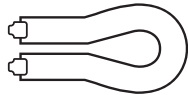



- Designed and verified per MIL standarts
- Smooth feeding of ammunition, decreased weapon pull force
- Left and right feed options from ammo can to the weapon
- Fully flexible body structure
- Modular construction, adaptable to any weapon system
- Composite body and stainless steel feed path



12.7x99 mm AMMUNITION FLEX CHUTE

Technical Data*

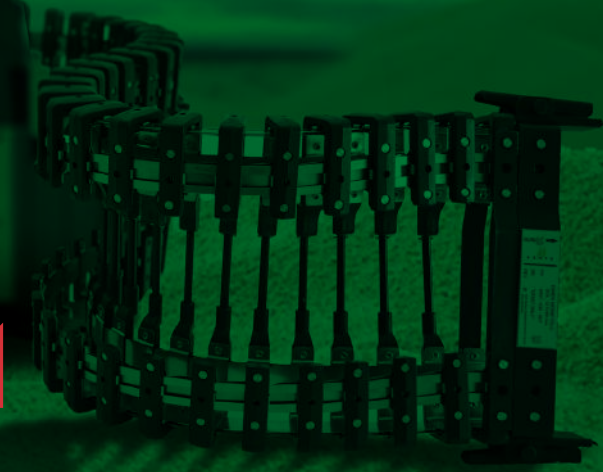
FAN	Nose: 133 mm	 Nose ← → Butt	
	Butt: 128 mm		
BEND	Closed Side: 20 mm	 Closed Side	
	Open Side: 30 mm		
180° TWINS	180° Twist: 630 mm		

* BEITALIA keeps his rights to change the technical dimensions in the document without any notification.

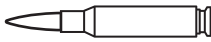
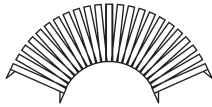
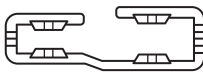
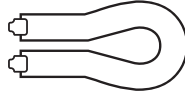

- Designed and verified per MIL standarts
- Smooth feeding of ammunition, decreased weapon pull force
- Left and right feed options from ammo can to the weapon
- M9 Link
- Fully flexible body structure
- Modular construction, adaptable to any weapon system
- Aluminum body and stainless steel feed path



12.7x108 mm AMMUNITION FLEX CHUTE



Technical Data*

FAN	Nose: 118 mm	 Nose —— Butt	
	Butt: 150 mm		
BEND	Closed Side: 28 mm	 Closed Side	
	Open Side: 35 mm		
180° TWINS	180° Twist: 600 mm		

* BEITALIA keeps his rights to change the technical dimensions in the document without any notification.


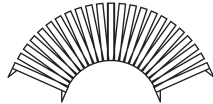
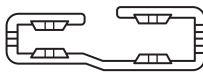
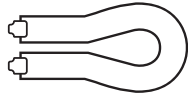



- Designed and verified per MIL standards
- Smooth feeding of ammunition, decreased weapon pull force
- Left and right feed options from ammo can to the weapon
- Fully flexible body structure
- Modular construction, adaptable to any weapon system
- Aluminum body and stainless steel feed path



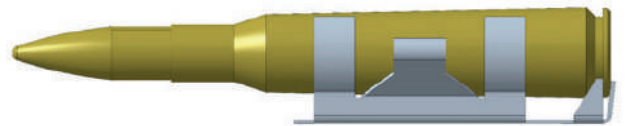
14.5x114 mm AMMUNITION FLEX CHUTE

Technical Data*

FAN	Nose: 125 mm	 Nose ——— Butt	
	Butt: 157 mm		
BEND	Closed Side: 28 mm	 Closed Side	
	Open Side: 35 mm		
180° TWINS	180° Twist: 610 mm		

* BEITALIA keeps his rights to change the technical dimensions in the document without any notification.


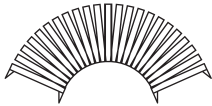
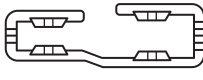


- Designed and verified per MIL standarts
- Smooth feeding of ammunition, decreased weapon pull force
- Left and right feed options from ammo can to the weapon
- Fully flexible body structure
- Modular construction, adaptable to any weapon system
- Aluminum body and stainless steel feed path



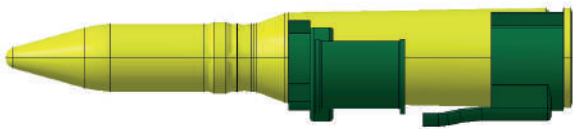
20x102 mm AMMUNITION FLEX CHUTE



Technical Data*

FAN	Nose: 90 mm	 Nose —— Butt	
	Butt: 155 mm		
BEND	Closed Side: 60 mm	 Closed Side	
	Open Side: 50 mm		
180° TWINS	180° Twist: 1000 mm		

* BEITALIA keeps his rights to change the technical dimensions in the document without any notification.


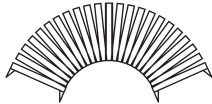
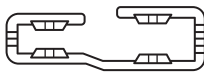
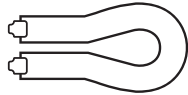



- Designed and verified per MIL standarts
- Smooth feeding of ammunition, decreased weapon pull force
- Left and right feed options from ammo can to the weapon
- Fully flexible body structure
- Modular construction, adaptable to any weapon system
- Aluminum body and stainless steel feed path
- M14A2 Link



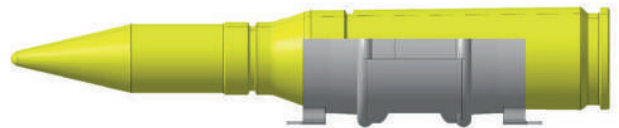
25x137 mm AMMUNITION FLEX CHUTE

Technical Data*

FAN	Nose: 105 mm	 Nose ——— Butt	
	Butt: 120 mm		
BEND	Closed Side: 70 mm	 Closed Side	
	Open Side: 50 mm		
180° TWINS	180° Twist: 620 mm		

* BEITALIA keeps his rights to change the technical dimensions in the document without any notification.


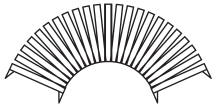
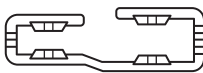


- Designed and verified per MIL standarts
- Smooth feeding of ammunition, decreased weapon pull force
- Left and right feed options from ammo can to the weapon
- Fully flexible body structure
- Modular construction, adaptable to any weapon system
- Aluminum body and stainless steel feed path



30x113 mm AMMUNITION FLEX CHUTE



Technical Data*

FAN	Nose: 175 mm	 Nose ———— Butt	
	Butt: 185 mm		
BEND	Closed Side: 63 mm	 Closed Side	
	Open Side: 63 mm		
90° TWINS	90° Twist: 1000 mm		

* BEITALIA keeps his rights to change the technical dimensions in the document without any notification.

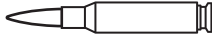

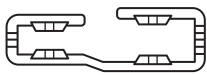
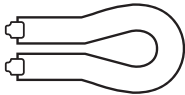



- Designed and verified per MIL standarts
- Smooth feeding of ammunition, decreased weapon pull force
- Left and right feed options from ammo can to the weapon
- Fully flexible body structure
- Modular construction, adaptable to any weapon system
- Composite body and stainless steel feed path



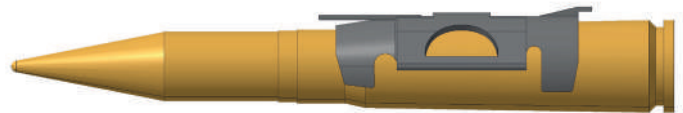
30x165 mm AMMUNITION FLEX CHUTE

Technical Data*

FAN	Nose: 75 mm	 Nose ———— Butt	
	Butt: 170 mm		
BEND	Closed Side: 100 mm	 Closed Side	
	Open Side: 55 mm		
90° TWINS	90° Twist: 920 mm		

* BEITALIA keeps his rights to change the technical dimensions in the document without any notification.


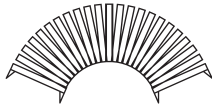
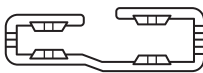


- Designed and verified per MIL standarts
- Smooth feeding of ammunition, decreased weapon pull force
- Left and right feed options from ammo can to the weapon
- 2A42
- Fully flexible body structure
- Modular construction, adaptable to any weapon system
- Aluminum body and stainless steel feed path



30x173 mm AMMUNITION FLEX CHUTE



Technical Data*

FAN	Nose: 80 mm	 Nose —— Butt	
	Butt: 175 mm		
BEND	Closed Side: 100 mm	 Closed Side	
	Open Side: 55 mm		
90° TWINS	90° Twist: 910 mm		

* BEITALIA keeps his rights to change the technical dimensions in the document without any notification.

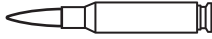

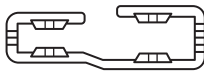
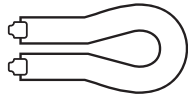



- Designed and verified per MIL standarts
- Smooth feeding of ammunition, decreased weapon pull force
- Left and right feed options from ammo can to the weapon
- Fully flexible body structure
- Modular construction, adaptable to any weapon system
- Aluminum body and stainless steel feed path



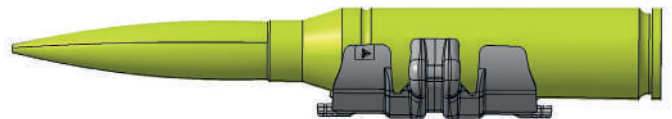
35x228 mm AMMUNITION FLEX CHUTE

Technical Data*

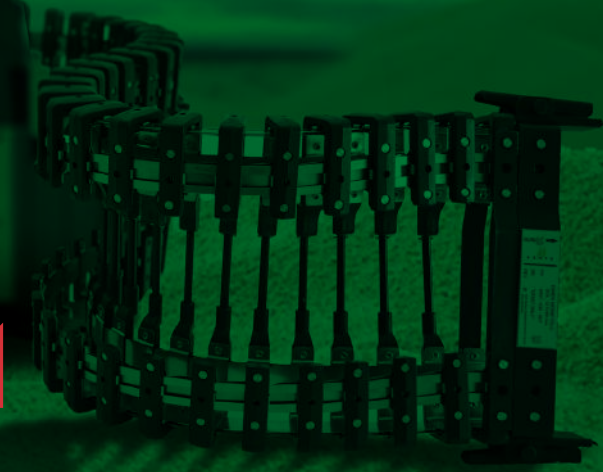
FAN	Nose: 150 mm	 Nose ———— Butt	
	Butt: 200 mm		
BEND	Closed Side: 95 mm	 Closed Side	
	Open Side: 85 mm		
90° TWINS	90° Twist: 1200 mm		

* BEITALIA keeps his rights to change the technical dimensions in the document without any notification.

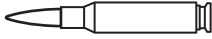

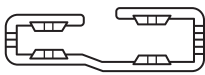
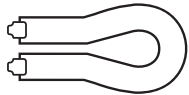

- Designed and verified per MIL standarts
- Smooth feeding of ammunition, decreased weapon pull force
- Left and right feed options from ammo can to the weapon
- Fully flexible body structure
- Modular construction, adaptable to any weapon system
- Aluminum body and stainless steel feed path



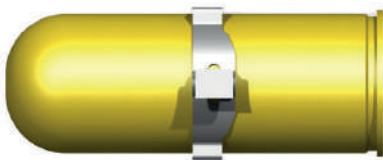
40x53 mm AMMUNITION FLEX CHUTE



Technical Data*

FAN	Nose: 90 mm	 Nose ———— Butt	
	Butt: 95 mm		
BEND	Closed Side: 75 mm	 Closed Side	
	Open Side: 75 mm		
90° TWINS	90° Twist: 910 mm		

* BEITALIA keeps his rights to change the technical dimensions in the document without any notification.



- Designed and verified per MIL standarts
- Smooth feeding of ammunition, decreased weapon pull force
- Left and right feed options from ammo can to the weapon
- Fully flexible body structure
- Modular construction, adaptable to any weapon system
- Composite body and stainless steel feed path



AMMUNITION FLEX CHUTE





P.ta Risorgive, 21 - 36040 - Brendola (VI) Italy
T: 0444/400148 / F: 0444/601848

beitalia.it

