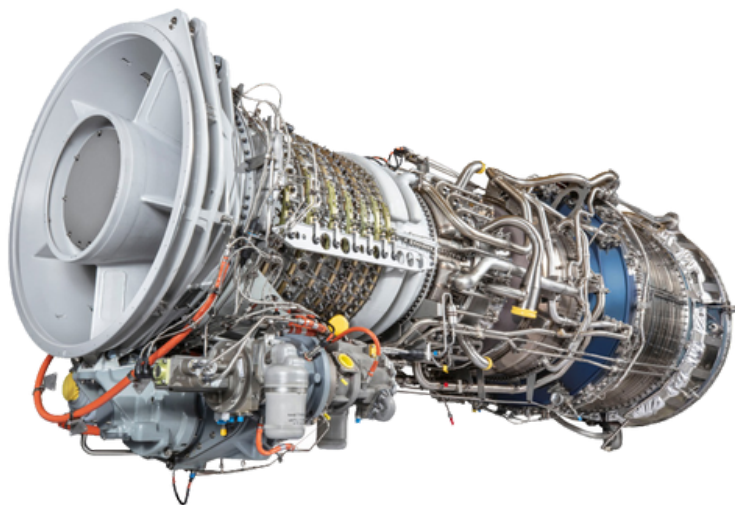
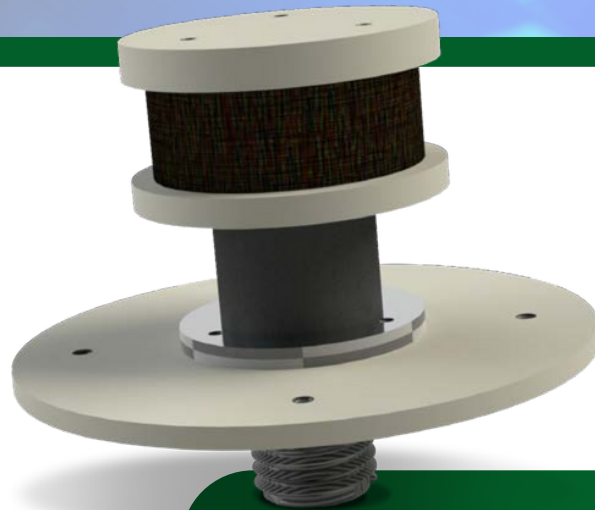


ICING SENSOR

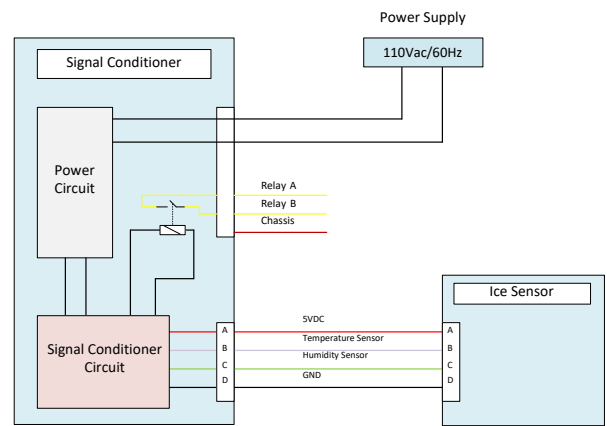
In order to prevent the cold air entering the gas turbines from affecting the turbines, the icing detection sensor located at the entrance of the turbine provides icing detection by measuring the temperature and humidity ratio of the air entering the turbines.



The ice sensor consists of a chamber that is not completely closed so that it can measure the temperature and humidity in the environment, humidity, temperature sensor and signal amplifier circuit. This chamber can easily measure the Temperature and humidity in the environment while protecting the sensors from external factors.

The output of the humidity sensor is regulated by the signal amplifier circuit so that it can be processed in the signal conditioner. The signal processed in this circuit is sent to the output of the ice sensor.

ICING SENSOR



FEATURES

Icing detection

Precise temperature and humidity

measurement Easy setup

Severe weather resistance

TECHNICAL SPECIFICATIONS

HUMIDITY SENSOR PARAMETERS

Supply Voltage	5 VDC
Settling Time	70 ms
Accuracy	±3.5 %RH
Operating Humidity Range	0-100 %RH
Operating Temperature Range	-40°C ~ 85°C

TEMPERATURE SENSOR PARAMETERS

Settling Time (Air)	22s
Resistance (25°C)	10,000Ω
Resistance Tolerance	±20%
Operating Temperature Range	-60°C ~ 300°C
Beta	3669