

# MULTIPLEXERS

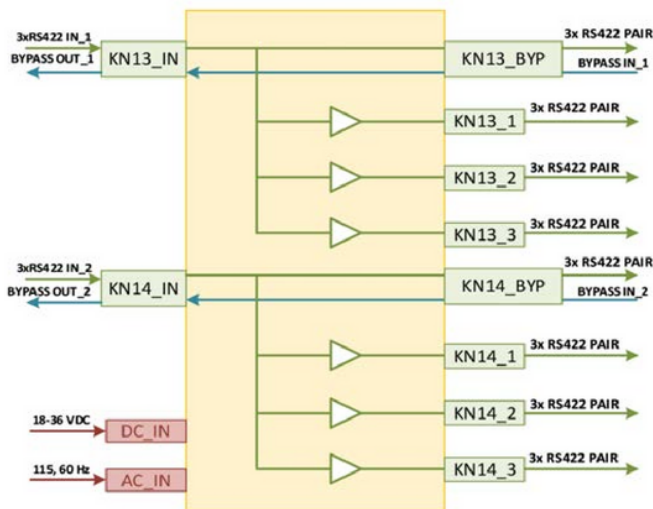


NS-0208X3



NS-0108

16 Mbps data transfer with input and output isolation protection  
 Compliant with Military Environmental Conditions and EMC/EMI requirements.  
 Uninterrupted data transmission over bypass lines during power failure  
 Low capacitance ,single direction  
 high speed protection designed against short circuit, power loss ,induction and lightning surge.



**NS-0208x3** has two triple RS-422/485 inputs and eight triple serial RS-422/485 output connectors. It has a connector. NS-0208x3 RS-422/485 Military Multiplexer allows data transfer at desired baud rates up to 16 Mbps. NS-0208x3 RS-422/485 Military Multiplexer contains two bypass lines. It transmits the data received from the KN13/14 IN connector through the KN13/14 BYP connector. Even when the power of the unit is off ,the bypass connection continues uninterrupted data transfer between lines.

**NS-0208** has dual parallel input line. In case of main line cut off, it automatically switches to back up line

Low capacitance, single direction high speed protection designed against short circuit, power loss, induction and lightning surge.

Data transfer at high speeds up to 16 Mbit

LED indicators for power and signal status

# MULTIPLEXERS

TECHNICAL SPECIFICATIONS	NS-0108	NS-0208X3
Baud Rate	16 MBps	16 MBps
Power Supply	18 - 36 VDC	18 - 36 VDC / 115 VAC 60 Hz
Power Consumption	3 W max.	30 W max.
Isolated Power Supply	√	√
Isolation Protection	± 15 kV	± 15 kV
Over Current Protection	There is	There is
Operating Temperature Range	-40°C ~ +85°C	-40°C ~ +85°C
IP-Class	IP65	IP66
Colour	RAL 7001	RAL 7001
Dimension (GxYxD)	221,76 x 146 x 55,4 mm	200 x 230 x 120 mm
Data Input	1 x RS422 / 485	2 channels, 3xRS422/485 lines
Data Output	8 x RS422 / 485	3xRS422/485 output and bypass line from each channel
Other Model	NS-0208 Dual Parallel Input Automatic Channel Selection	-
Connector	MIL-STD-38999 MIL-STD-26482 RS-422 / RS-485	MIL-STD-38999 MIL-STD-26482 RS-422 / RS-485
Serial Connections		
COMPATIBILITY		
Environmental	MIL-STD-810G	MIL-STD-810G
Conditions EMI/EMC	MIL-STD-461	MIL-STD-461
Vibration	MIL-STD-167-1 Table 1	MIL-STD-167-1 Table 1
Mechanical Shock	MIL-STD-901 Grade-B Class-II. Type-A	MIL-STD-901 Grade-B Class-II. Type-A
Power Supply	MIL-STD-1399 Section 300 (Stanag 1008)	MIL-STD-1399 Section 300 (Stanag 1008)