



SYNCHRO - DIGITAL DIGITAL - SYNCHRO CONVERTERS

Converts synchro signals to digital angle information and digital data to synchro signals.

SYNCHRO - DIGITAL CONVERTER

Converts synchro signals to digital angle information.

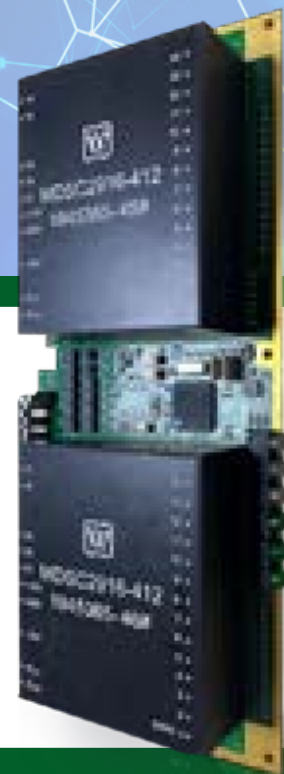
115 VAC 400 Hz or
115 VAC 60 Hz Ref. Voltage

CANBUS interface

Optional RS422, TTL, PCI etc.
Communication

LED indicators

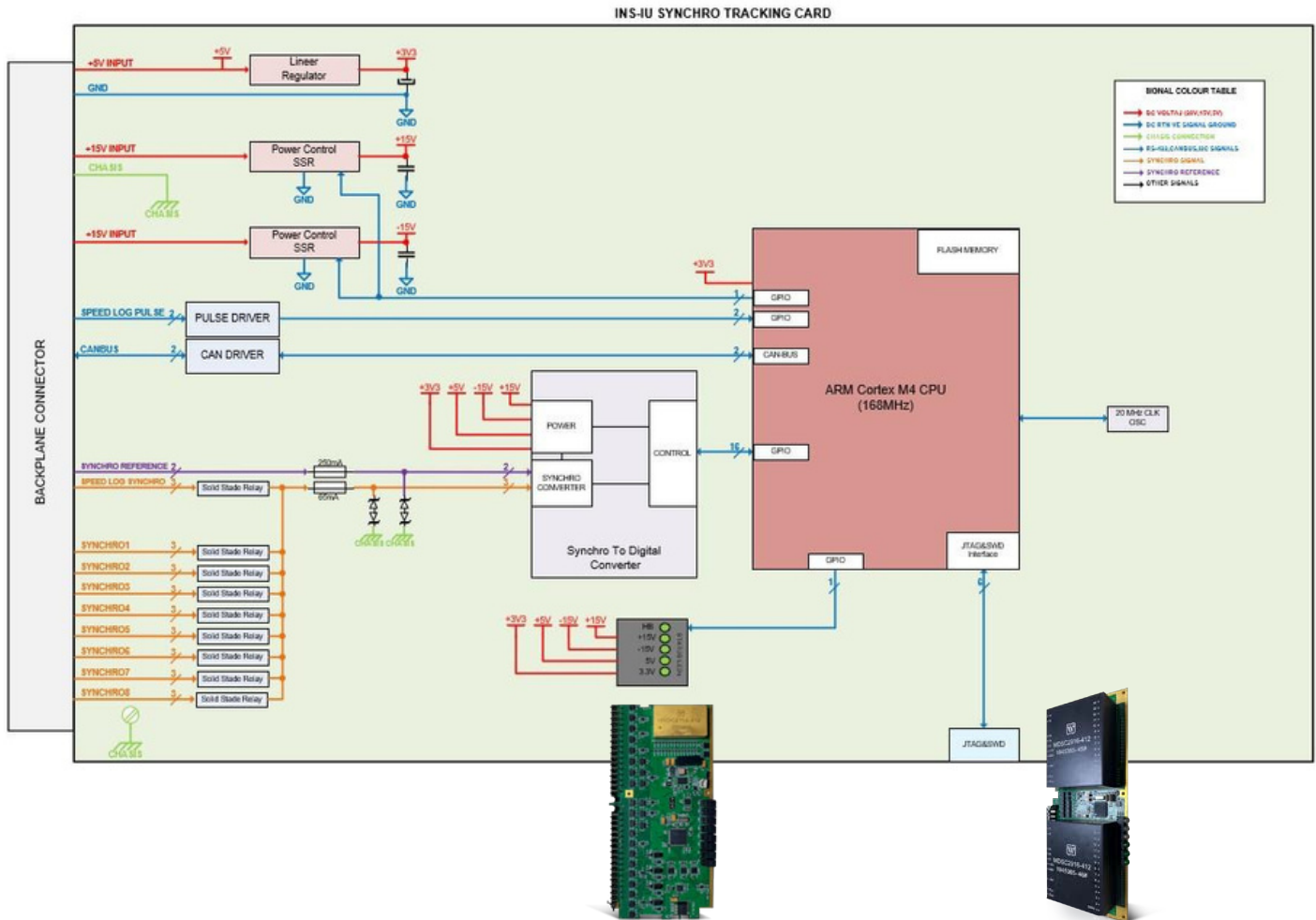
Temperature sensor



DIGITAL - SYNCHRO CONVERTER

- Converts digital angle information to synchro signals.
 - 2 independent synchro channels
 - 1x, 2x, 4x, 10x, 36x programmable
 - 115 VAC 50/60 Hz or 400 Hz Ref. Voltage
- CANBUS interface (Optional RS422, TTL, PCI etc.)
 - LED indicators
 - Temperature sensor
 - Microprocessor control

SYNCHRO - DIGITAL DIGITAL - SYNCHRO CONVERTERS



TECHNICAL SPECIFICATIONS

SYNCHRO - DIGITAL

DIGITAL - SYNCHRO

	SYNCHRO - DIGITAL	DIGITAL - SYNCHRO
Power Input	+/- 15 VDC, 5 VDC	+/-15 VDC, 5 VDC
Reference Input	115 VAC 50/60 veyá 400 Hz	115 VAC 50/60 veyá 400 Hz
Synchro Resolution	14 Bit (Optional: 16 Bit - 12 Bit)	14 Bit (Optional: 16 Bit - 12 Bit)
Synchro Output	-	2 Channels Synchro Output(S1,S2,S3) 90 VAC
Synchro Output Power	5 W	5 W
Synchro Input	9 Channels Synchro Input (S1,S2,S3) VAC	-
Interface	CANBUS (Optional: RS422 - TTL - PCI)	CANBUS (Optional: RS422 - TTL - PCI)
Status Indicators	LED	LED
Over Current Protection	Yes	Yes
Temperature Sensor	Yes	Yes
Dimensions (WxHxL)	219 mm x 92 mm x 16 mm	219 mm x 92 mm x 16 mm